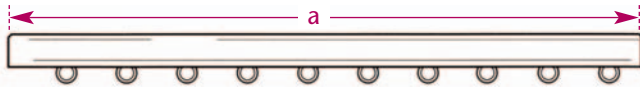


Measuring track or pole

To measure for the width and length of your curtains please use the diagrams and tips below.

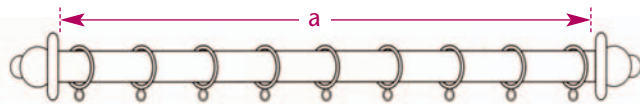
Curtain Track

WIDTH Measure from one end of the track to the other.
LENGTH Measure the length from the top of the track to the point where you want your curtains to finish (for tips see 'Curtain Drop')



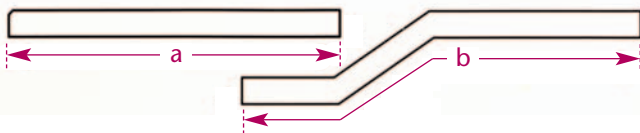
Curtain Pole with Rings

WIDTH Measure the length of the pole visible between the 2 finials (pole ends).
LENGTH Measure from the bottom of the ring to the point where you want your curtains to finish (for tips see 'Curtain Drop'). This will ensure that the pole remains visible once the curtains are hung.



Curtain with Overlap

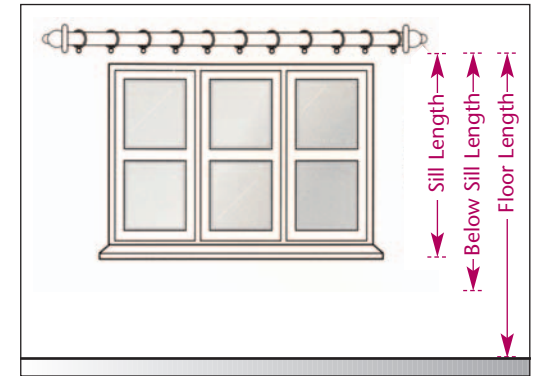
WIDTH Add both halves of the track measurements.
LENGTH Measure from the top of the track to the point where you want your curtains to finish (for tips see 'Curtain Drop').



Measuring curtain drop

Decide where you want your curtains to finish.

- To the window sill
- Below the window sill, allow 1cm clearance above the radiator
- Level with the floor, allow 1cm clearance above the carpet



If you are having Tab - Top Curtains

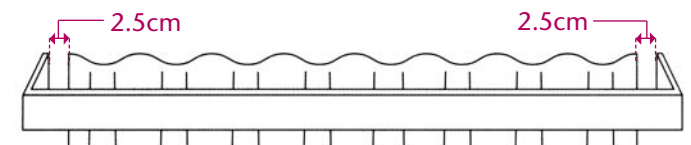
You will need to measure from the very top of your pole to to ensure correct drop.

If you are having Eyelet Curtains

You will need to measure from the top of your pole. Please add 3cm (or 1.25 inches) to your measurements. Your curtains are made slightly longer as eyelet curtains are intended to sit above the pole.

Measuring valances

Please remember the valance track must be beyond the curtain track to allow the curtains to hang freely a minimum of 2.5cm of valance track extending on either side is required. If you are measuring an existing track we will add on the returns for a new track. Please also state the drop you require.

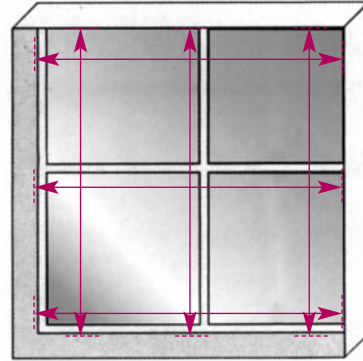


Measuring blinds

Inside recess

When measuring for your blind to fit inside your recess it is advisable to measure (for both width and length) in **3 places** top, middle and bottom just in case the window recess is irregular. Watch out for obtrusions into the recess, such as dado rails and tiling.

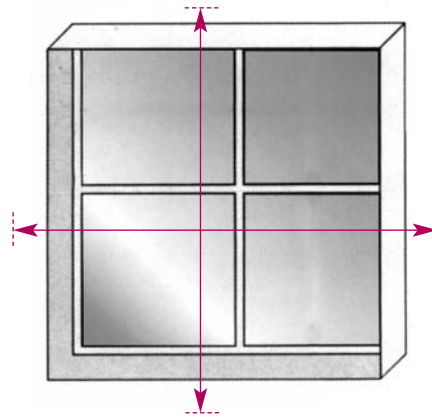
Then give the **smallest exact measurement** for both width and length of the recess with no deduction.



Outside recess

Decide how much you want your blind to overlap the recess at each side, top and bottom.

Please note most manufacturers recommend a minimum overlap of 5cm on each side.



When measuring

- The pole/track should be fitted to the wall before taking any measurements
- Use a metal tape measure as fabric ones sometimes stretch
- State your measurements to the nearest centimetre or millimetre

Measuring guide



First for fashionable furnishings!

www.glasswells.co.uk

Glasswells World of Furniture, Newmarket Road, **Bury St Edmunds**, Suffolk IP33 3TU
T 01284 752804, F 01284 705670

Glasswells, 55 High Street, **Haverhill**, Suffolk CB9 8AH T 01440 702679 F 01440 714282